

NX Horizon Self-Powered Tracker

Our most amazing tracker yet.

In our mission to make solar a mainstream energy source, NEXTracker has engineered the most intelligent and flexible tracking technology yet. Using sustainable design methods with outcomes that benefit people and the planet, we bring you: NX Horizon™.

NX Horizon (formerly referred to as the Self-Powered Tracker or SPT), brings self-contained motor power to each row, eliminating power wiring and trenching. Our advanced horizontal tracker has the widest rotational range available, lowest O&M costs, and requires far less power to operate than other trackers. By offering more powerful systems at a greater value, NEXTracker enables greater deployment of renewable energy worldwide.

NX Horizon key features and benefits include:

- Self-powered system with smart performance communications: Self-contained units on each row include a dedicated PV panel to provide power to the controller which drives the motor and hosts intelligent control electronics to position each tracker. With smart communications built in, NX Horizon systems can be accessed remotely, providing customers with a granular view to optimize tracker performance, operations and maintenance.
- Independent balanced rows with 120 degree rotational range: Each NX Horizon row has its own controlled motor with rotational range that delivers up to 2% more energy than typical linked row trackers. These agile, independent rows stow in less than 90 seconds to reduce wind forces

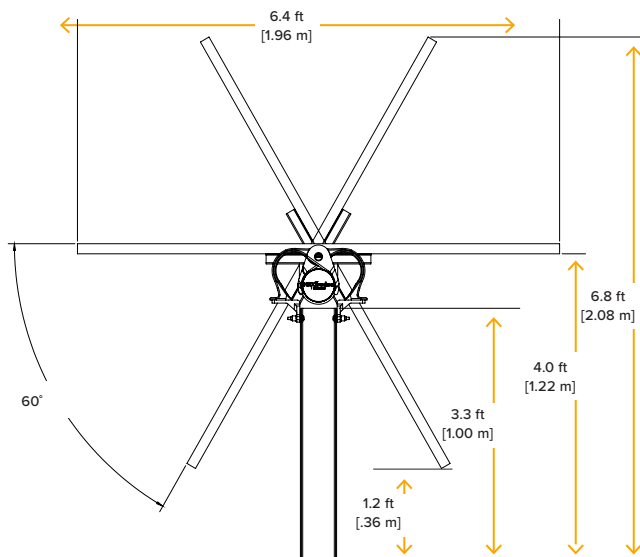
on the array, protecting the PV modules in harsh environments. NX Horizon solar trackers also have a mechanically balanced row design that aligns PV panels with the tracker's axis of rotation – which greatly reduces row torque, using less energy from the motor to track throughout the day.

- Self-grounded system with theft-proof fasteners: NX Horizon is the world's first horizontal tracker with an entirely self-grounded design. This means no separate bonding hardware is required. You save on material and associated costs by eliminating grounding washers, braided straps, bare copper wire, and grounding rods. What's more, we've designed our own fasteners that can only be removed with special tools – deterring PV theft.

NX Horizon Specifications

Tracking Technology	Horizontal single-axis balanced-mass tracker with independently-driven rows
Tracking Range	Up to 120° (± 60°)
Control System	1 Self-Powered Controller (SPC) per tracker; 1 Network Control Unit (NCU) per 100 SPCs
Communications	Wireless ZigBee® mesh network/SCADA; no communication wiring required
Drive System	One slew gear, 24 VDC motor and self-powered controller w/dedicated solar panel per row
DC Capacity	23-35kWp per tracker row, depending on panel type. Row length up to 90 panels.
System Voltage	1,500 volt or 1,500 volt
Power Consumption	No grid power required
Ground Coverage Ratio	Fully configurable by customer; typical range 33%-50%
Installation Method	Rapid field assembly, no welding required
Foundation Types	Compatible with all major foundation types (driven pier, concrete foundation, ground screw)
Standard Wind Design	100 mph/161 kph, 3 second gust per ASCE7-10; configurable for higher wind speeds
Safety Stowing	Automated wind and snow stowing with self-contained backup power; no external power required
Torsional Limiter	Included at each foundation/bearing for additional wind and snow load protection
Principal Materials	Galvanized and stainless steel
Grounding Method	Self-grounding structure; separate materials and labor not required
Compliance	Grounding/bonding: UL2703; structural design: ASCE7-10
Other Available Options	Snow and flood sensors
Warranty	10 years on structural components; 5 years on drive and control systems
Typical Dimensions	Height 2.1 m/6.8 ft (@ 60°), Width 2.0 m/6.4 ft, Length 85 m/283 ft

Typical 72-cell c-Si configuration: 85 m row with 80 panels mounted in portrait:



NEXTracker

6200 Paseo Padre Parkway
 Fremont, CA 94555 USA
 +1 510 270 2500
 nextracker.com

printed on post-consumer waste paper

